

# LETHBRIDGE COLLEGE TOURNAMENT 2021

Men			
Pool A	Pool B	Pool C	Pool D
1. Catholic Central JV	1. Catholic Central SV	1. Cardston	1. Chinook JV
2. Chinook SV	2. Immanuel Christian	2. Monsignor McCoy	2. St. Michael's
3. Kate Andrews	3. Eagle Butte	3. LCI	3. Medicine Hat HS
4. Winston Churchill	4. Picture Butte	4. Senator Gershaw	4. Magrath

Women			
Pool E	Pool F	Pool G	Pool H
1. Immanuel Christian	1. Eagle Butte	1. Picture Butte	1. Medicine Hat HS
2. Catholic Central	2. W.R. Myers	2. LCI	2. St. Michael's
3. St. Mary's	3. Catholic Central JV	3. Monsignor McCoy	3. Cardston
4. Winston Churchill JV	4. Kate Andrews	4. Senator Gershaw	4. Winston Churchill

\* Top 2 teams in each pool will advance to the Championship play-offs. The remaining teams will advance to consolation play-offs.

FRIDAY	GYM A	GYM B	GYM C - COURT 1	GYM C - Court 2
10:00	A3 - A4	E3 - E4	A1 - A2	E1 - E2
10:55	A1 - A4	E1 - E4	A2 - A3	E2 - E3
11:50	B1 - B2	F3 - F4	B3 - B4	F1 - F2
12:45	A2 - A4	E2 - E4	A1 - A3	E1 - E3
1:40	B1 - B4	F1 - F4	B2 - B3	F2 - F3
2:35	B2 - B4	F2 - F4	B1 - B3	F1 - F3
3:30	C3 - C4	G3 - G4	C1 - C2	G1 - G2
4:25	C1 - C4	G1 - G4	C2 - C3	G2 - G3
5:20	D3 - D4	H3 - H4	D1 - D2	H1 - H2
6:15	C2 - C4	G2 - G4	C1 - C3	G1 - G3
7:10	D1 - D4	H1 - H4	D2 - D3	H2 - H3
8:05	D2 - D4	H2 - H4	D1 - D3	H1 - H3

SATURDAY	GYM A	GYM B	GYM C - COURT 1	GYM C - Court 2
8:00	W1	M1	M2	W2
9:15	W3	M3	M4	W4
10:30	W5	M5	M6	W6
11:45	W7	M7	M8	W8
1:00	W9	M9	M10	W10
2:15	W11	M11	M12	W12
3:30	W13	M13	M14	W14
4:45	W15	M15	M16	W16
6:00	W17	M17	M18	W18
7:15	W19	M19	M20	W20

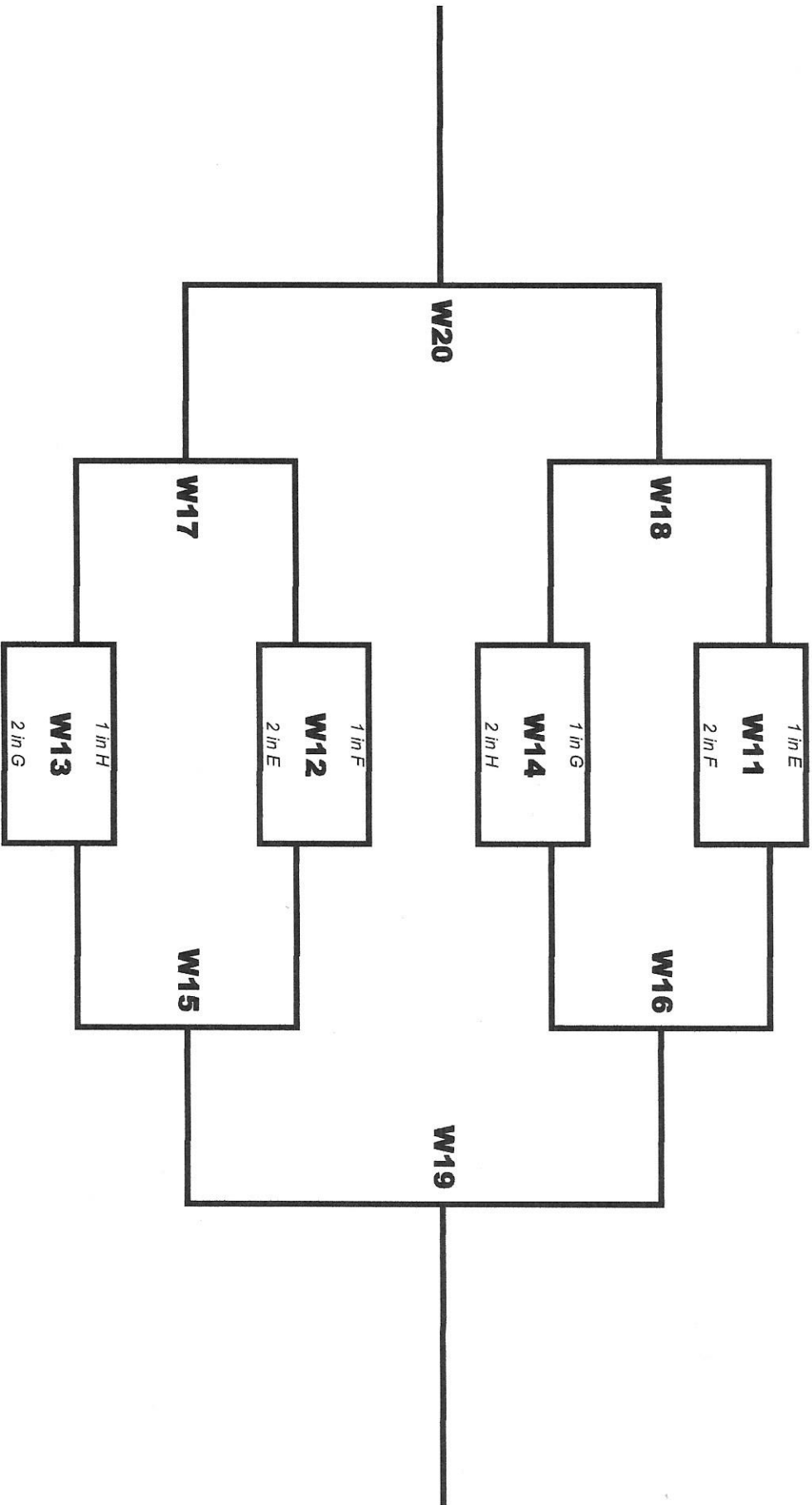
TOURNAMENT NOTES:

M: MENS DIVISION PLAYOFFS

W: WOMEN'S DIVISION PLAYOFFS

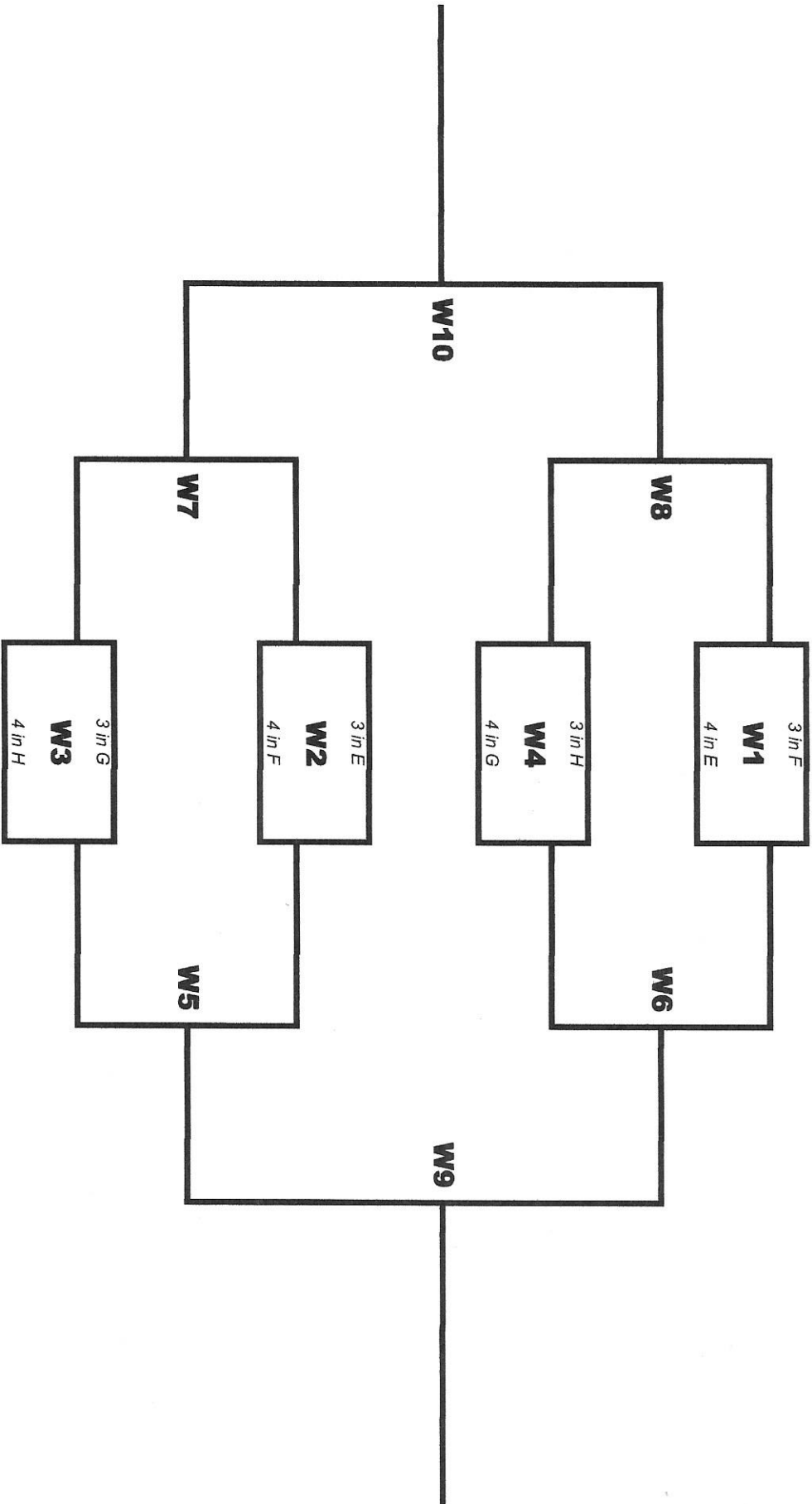


# Women's Championship Draw



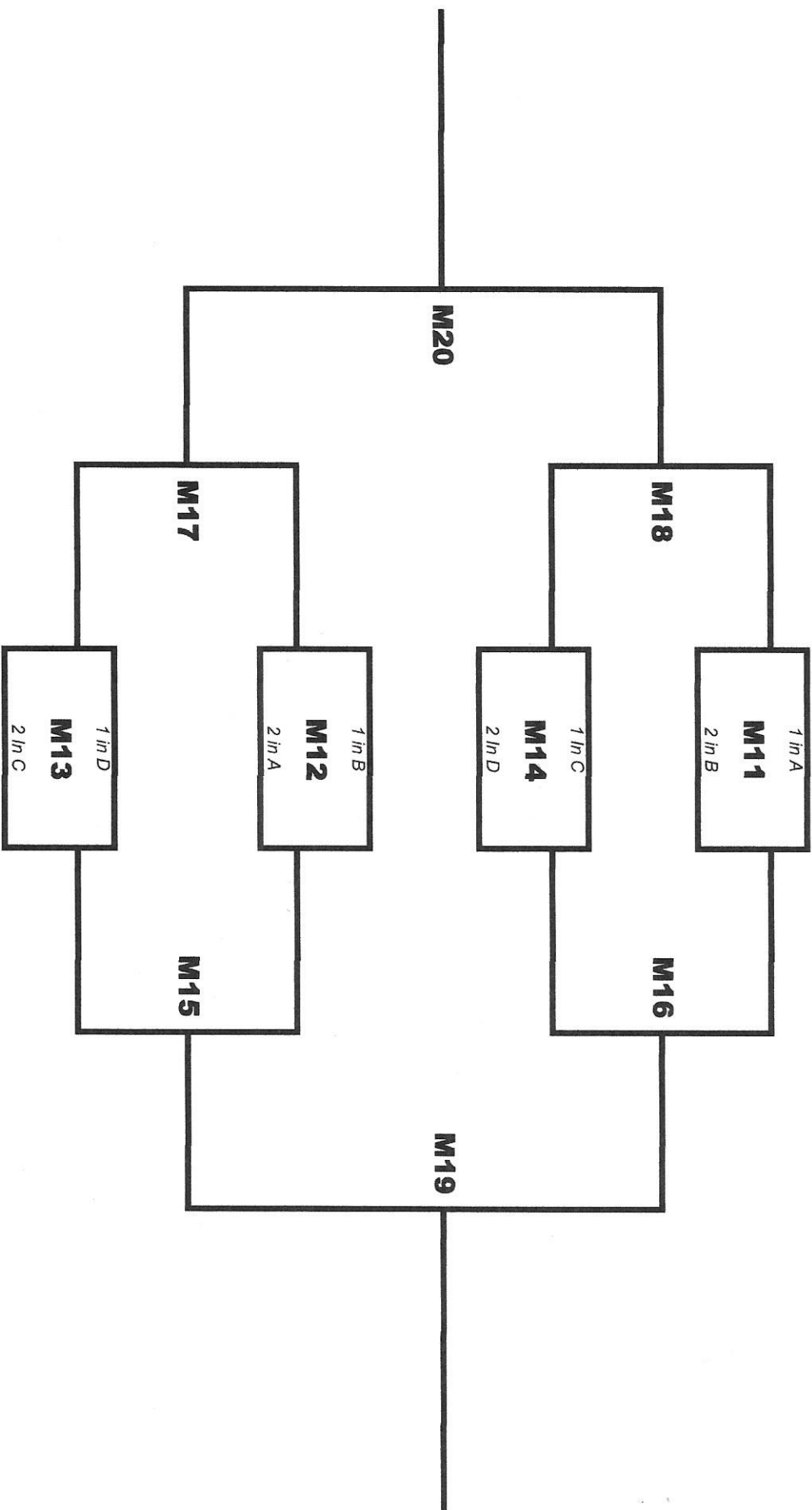


# Women's Consolation Draw





# Men's Championship Draw





# Men's Consolation Draw

